

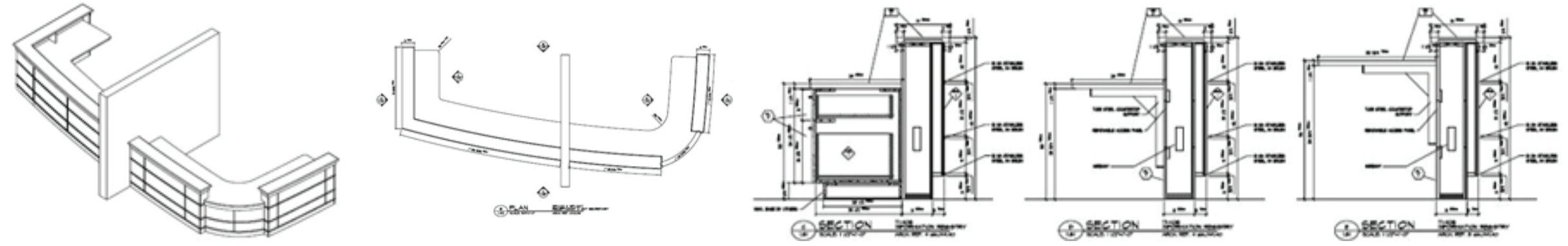
- ▶ OFFER DETAILS
- ▶ REGISTER FOR TRAINING
- ▶ WANT TO LEARN MORE?
- ▶ OFFER TERMS AND CONDITIONS
- ▶ CONTACT

Register for training and receive a FREE TRIAL* of ShopWare CAD, the AutoCAD based solid model engineering software from 20-20 Technologies.

- Links seamlessly to Thermwood routers
- Integrates with industry-leading 20-20 Design software
- Utilizes powerful parametric capabilities
- Includes an AutoCAD® OEM license with every installation



"Our relationship with Thermwood is based on working together to bringing the best tools to our customers. ShopWare CAD is the logical upgrade path for Thermwood owners who now use software like Inventor, Cabinet Vision, or E-Cabinets. ShopWare CAD integrates your engineering from Showroom to Shop Floor." – Tom Burke of 20-20 Technologies



OFFER DETAILS

Sign up now for 2 days of hands-on training and go home with a fully functioning trial version of 20-20 ShopWare CAD. If you purchase the software before the end of the 90 day period, you will receive a full refund on the cost of training (\$550 USD per person)*.

"The ability to try out ShopWare CAD for free sounds like a winner to us, and should be a great chance for current Thermwood machine owners to quickly design custom pieces and then send them directly to the machine."
– Jason Susnjara, Vice President of Marketing - Thermwood Corp.

REGISTER FOR TRAINING

Class sizes are limited. Select your preferred date & location.

April 29-30	Las Vegas, Nevada – KBIS
May 17-18	St Zotique, Quebec – CNC Automation (French)
June 14-15	Toronto, Ontario
July 18-19	Las Vegas, Nevada – AWFS
August 23-24	Laval, Quebec – 20-20 Technologies (French)
September 19-20	Dale, Indiana – Thermwood
October 25-26	Toronto, Ontario – WMS

▶ SIGN UP NOW

▲ BACK TO TOP

WANT TO LEARN MORE?

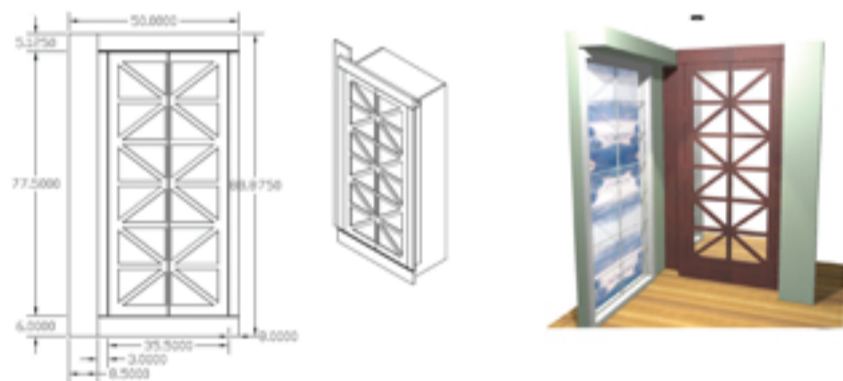
Register for a REAL-TIME walkthrough of ShopWare CAD, the most powerful, flexible woodworking engineering solution. Select the date that works best for you for this no cost, no obligation webinar. We invite you to join us for an informative, 40 minute demonstration of this powerful engineering tool with 20-20 specialists.

Learn about:

- AutoCAD integration
- Parametric functionality
- Hardware libraries
- Machine output
- Rendering in 20-20 Design

Who should attend:

- Engineering Managers
- Shop Owners
- Product Designers
- Production Planners
- CAM / CNC users



"Many machine owners want to take their software up a notch. This is a great 'try-before-you-buy' opportunity. I have seen ShopWare CAD, and it has capability that works for custom shops."

– Bob Law of CNC Automation

SHOPWARE CAD WEBINAR DATES

Friday, April 8, 2011	Friday, July 29, 2011 (French)
Friday, April 15, 2011	Friday, August 5, 2011
Friday, May 6, 2011 (French)	Friday, August 12, 2011 (French)
Friday, May 13, 2011 (French)	Friday, August 19, 2011 (French)
Friday, May 27, 2011	Friday, September 9, 2011
Friday, June 3, 2011	Friday, September 16, 2011
Friday, June 10, 2011	Friday, September 23, 2011
Friday, June 17, 2011	Friday, September 30, 2011
Friday, July 8, 2011	Friday, October 7, 2011
Friday, July 15, 2011	Friday, October 14, 2011

▶ SIGN UP NOW

▲ BACK TO TOP

TERMS AND CONDITIONS*

CUSTOMER PAYMENT POLICY

Payment is due in full at the time of registration. Customers may use a credit card to register. Registration must be paid in full 7 days before class begins.

CUSTOMER CANCELLATION POLICY

Cancellation requests received 7 days before class begins will not incur any charges. Cancellation requests received less than 7 days before class begins are subject to full course fees.

You may transfer your registration to the next time the course is offered. Transfer requests must be received 7 days before class begins.

Cancellations/transfers do not become effective until 20-20 Technologies receives written notification. Please send requests to trainshopware@2020.net. Substitutes are welcome at any time. Please provide written notification to trainshopware@2020.net.

20-20 TECHNOLOGIES CANCELLATION POLICY

20-20 Technologies reserves the right to cancel classes if the minimum registration requirement of 3 attendees is not met. We reserve the right to limit registration to a maximum of 6 attendees.

We suggest consulting with our office before booking non-refundable airline tickets. 20-20 Technologies will not be responsible for any costs incurred, including travel charges.

COURSE FEES

Course fees include tuition and training materials.

TRAINING DOCUMENTATION

All training materials are the proprietary and copyrighted material of 20-20 Technologies. You are expressly prohibited from publishing, reproducing or transmitting training materials, in whole or in part by electronic, photocopy or mechanical means without the written permission of 20-20 Technologies.

TRAVEL ARRANGEMENTS

All travel arrangements are the responsibility of each registrant.

* 20-20 Technologies reserves the right to amend terms and conditions without notice.

▲ BACK TO TOP

CONTACT

For more information about this special offer, contact Tom Burke:

email: tom.burke@2020.net
phone: 585-370-4342

2020Technologies.com

